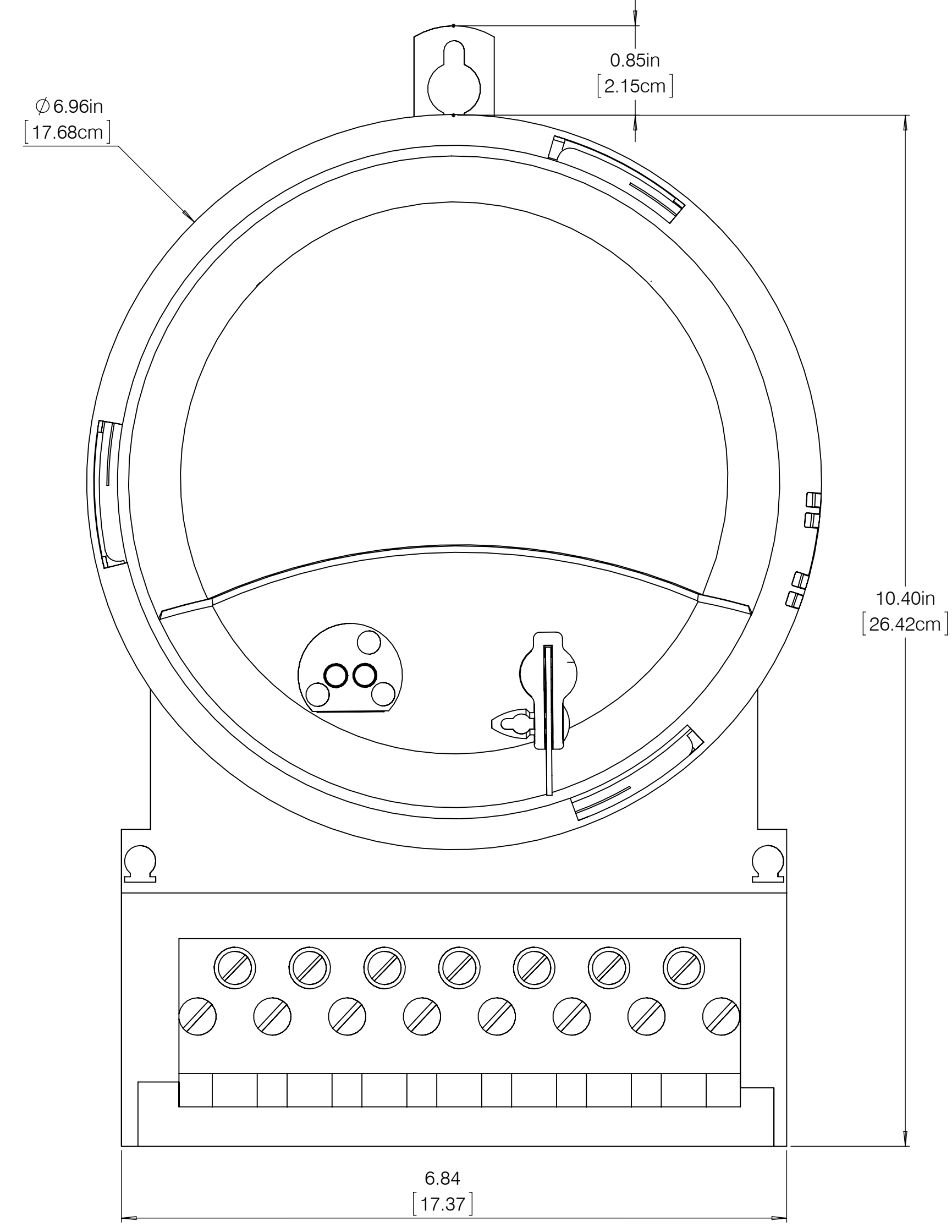
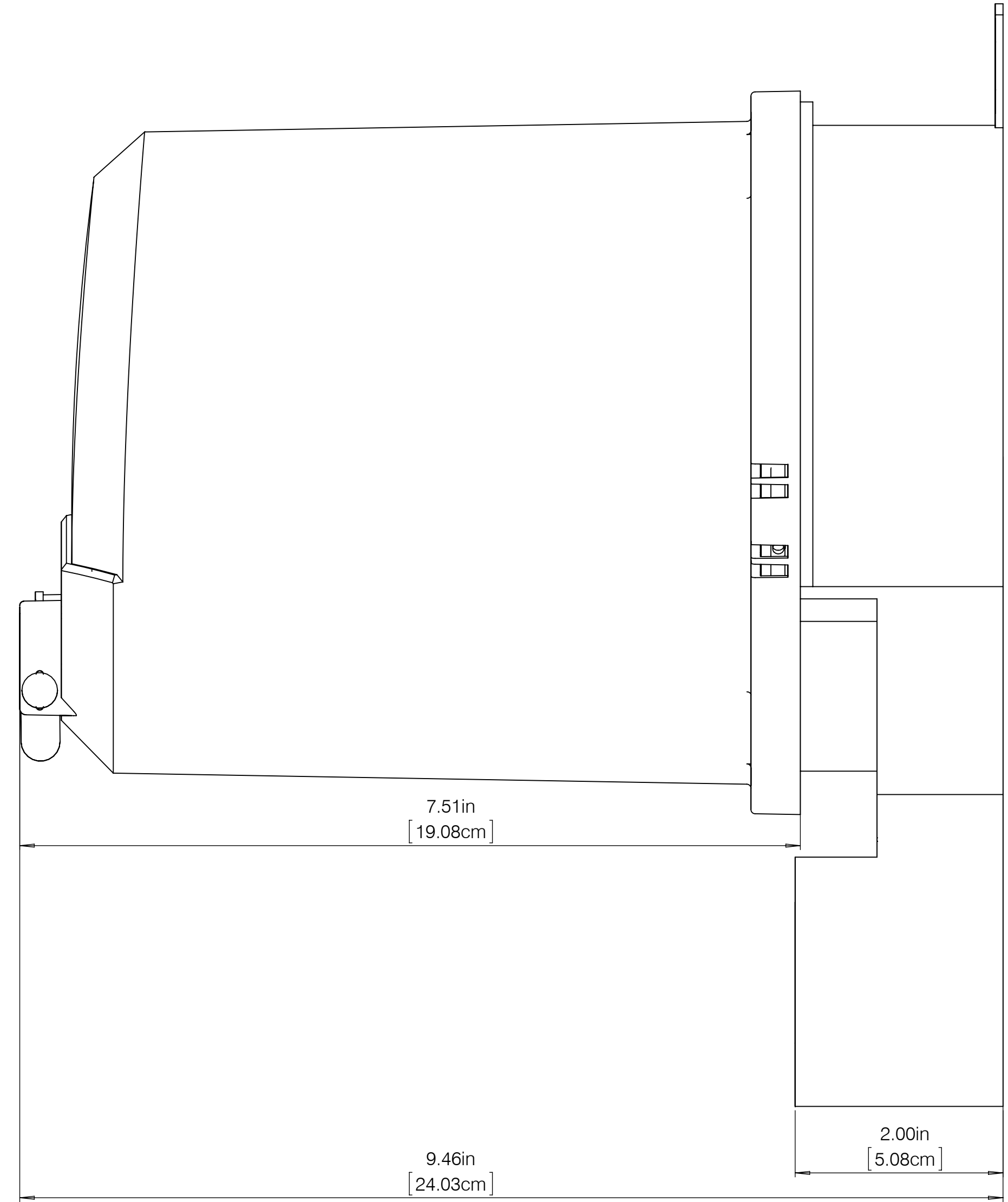
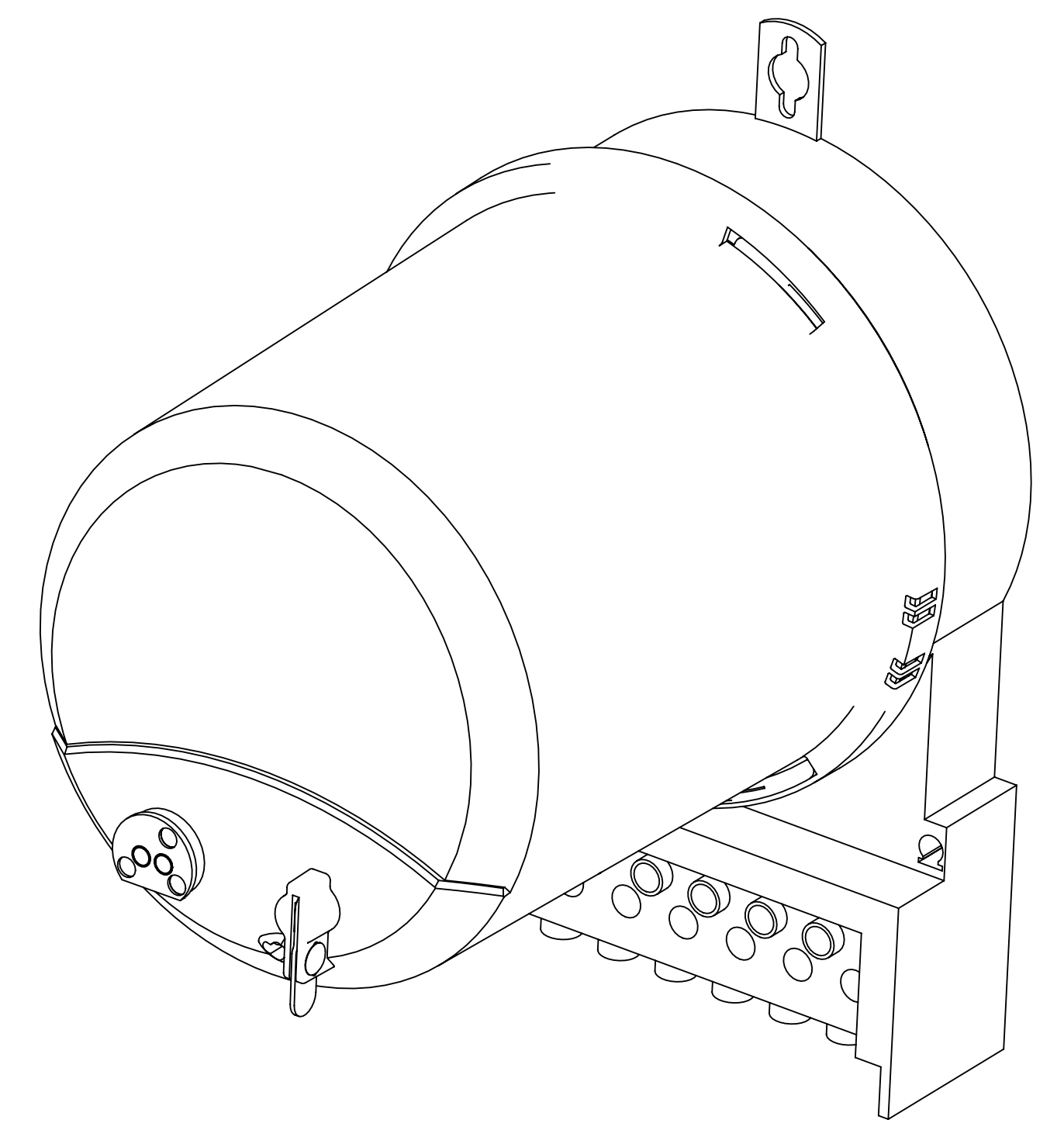
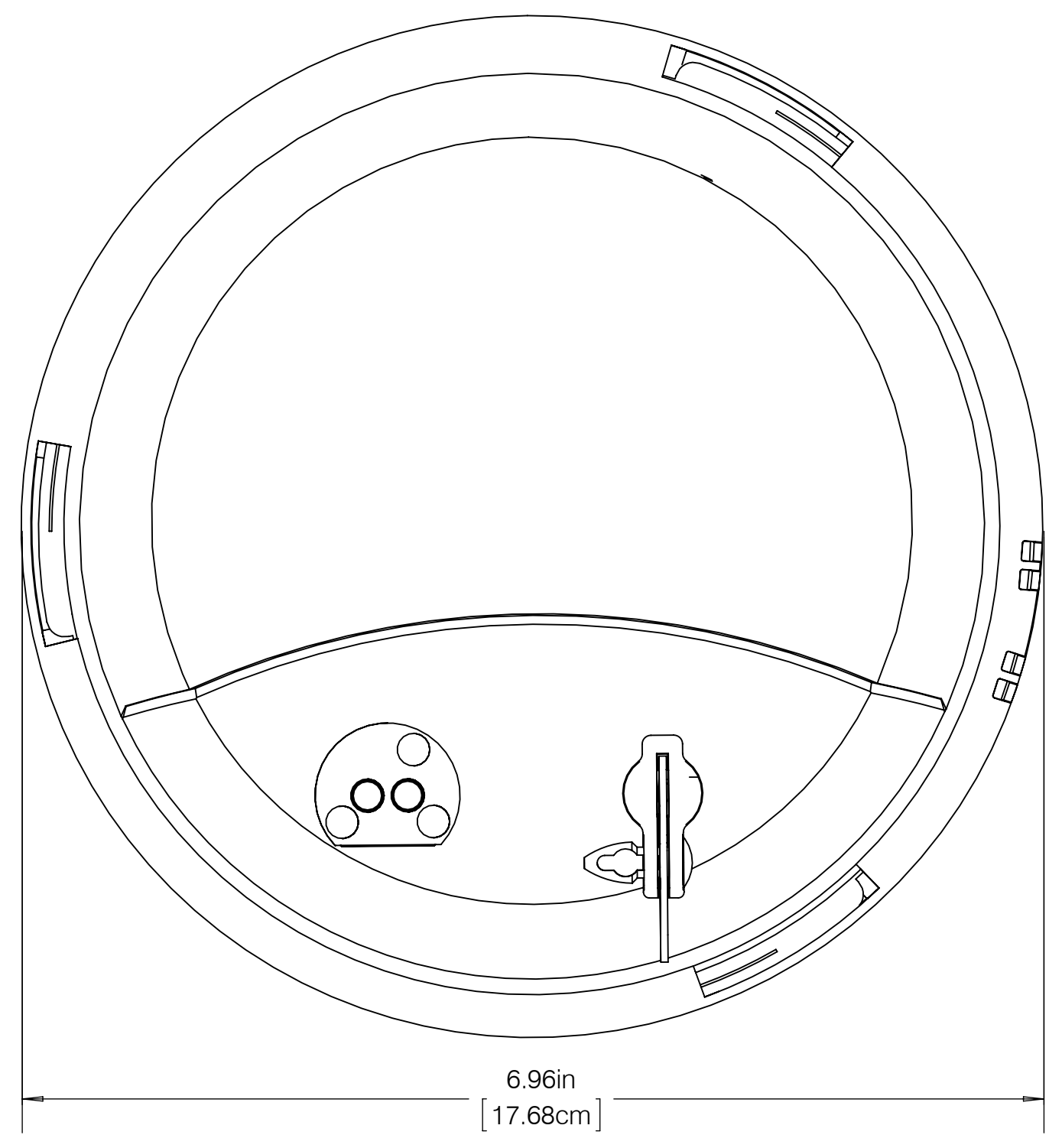
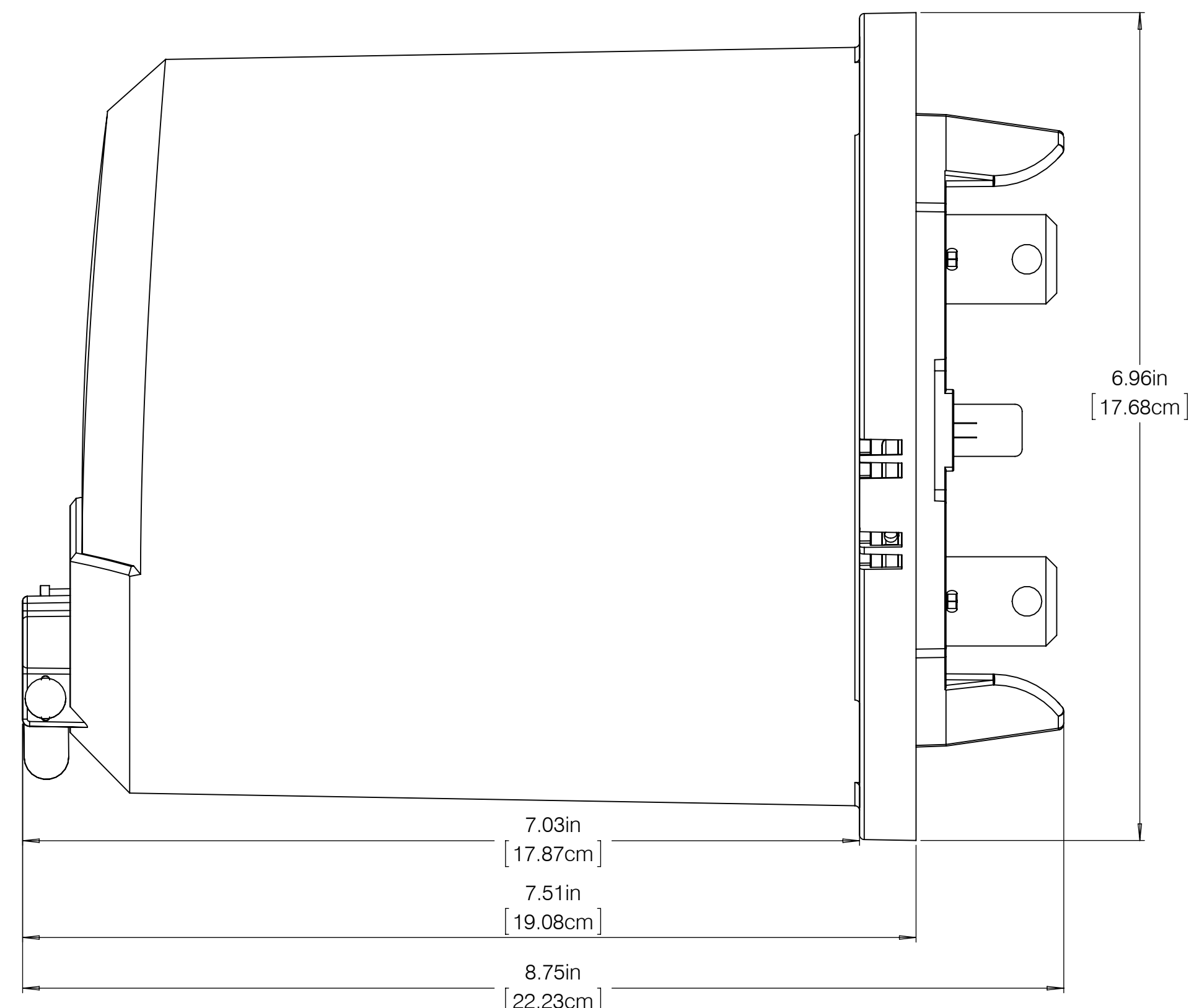


REVISION HISTORY					
REV	BY	RELEASE DATE	DESCRIPTION	ORIGINATOR	CHANGE ORDER
A	EM	9/7/16	FIRST RELEASE	EM	4249



SOLIDWORKS GENERATED DRAWING			
<small>THESE DRAWINGS AND SPECIFICATIONS ARE THE PROPERTY OF ELECTRO INDUSTRIES AND SHALL NOT BE REPRODUCED, COPIED, OR USED FOR MANUFACTURE OR SALE OF APPARATUS WITHOUT WRITTEN PERMISSION OF ELECTRO INDUSTRIES.</small>			
<small>TOLERANCES AND SYMBOLS PER ANSI Y14.5M-1994 DIMENSIONS SPECIFIED ARE AFTER ADDITIVE FINISH:</small> DECIMALS XX ± 0.010 XXX ± 0.005 <small>(plus 0.003 inch additional inch.)</small>	<small>ANGLES:</small> XX ± 0.5° XXX ± 0.1°	MATERIAL: N/A	TITLE: SHARK 270 TITLE DESCRIPTION: UNIT DIMENSIONS
<small>FOR DIMENSIONS NOT SHOWN USE DIGITAL DATA. FILE NAME: E159719-A-9-7-16.ZIP</small>	<small>DO NOT SCALE DRAWING</small>	DRAWN BY: EM DATE: 9/7/16 SURF FINISH: N/A ENGINEERING CHECK: TB DATE: 9/7/16 DOCUMENTATION CHECK: DS DATE: 9/7/16	PART NUMBER: E159719
SIZE: D SCALE:	REV NO: A CHANGE ORDER: 4249 RELEASE DATE: 9/7/16 SHEET: 1 OF 1		