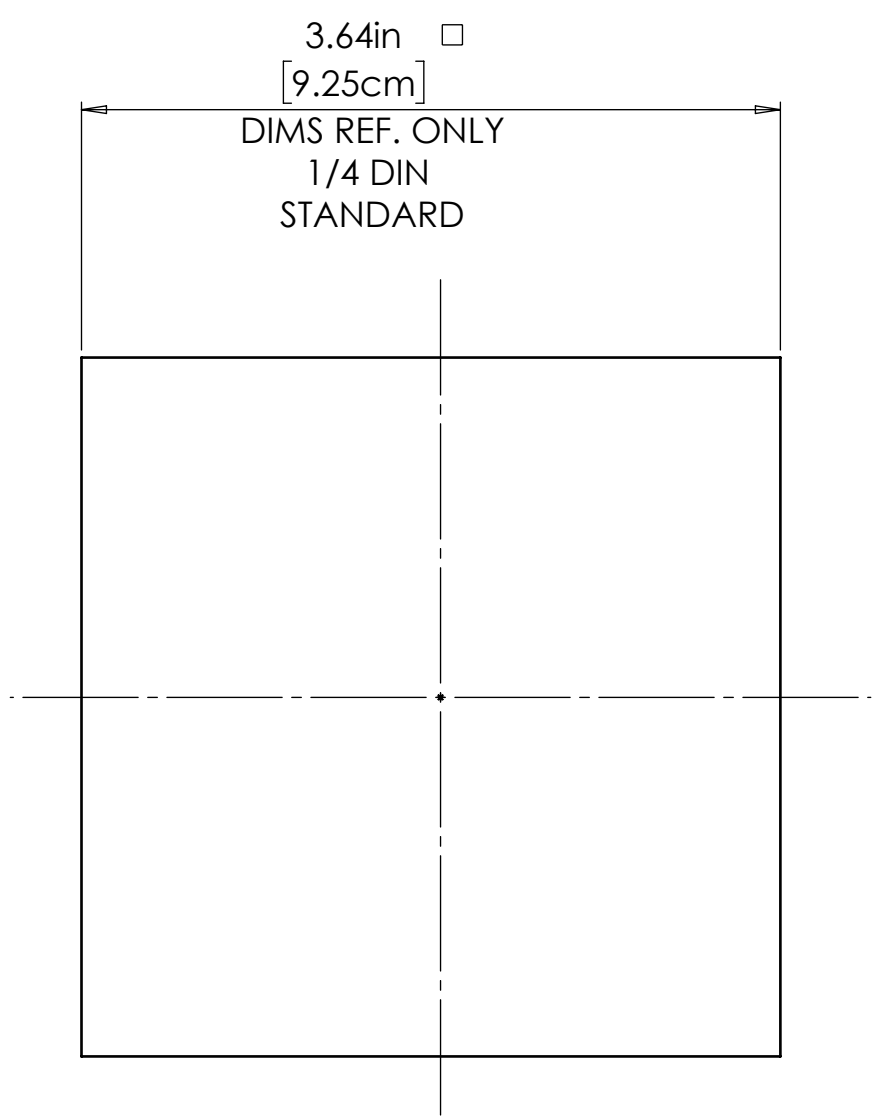
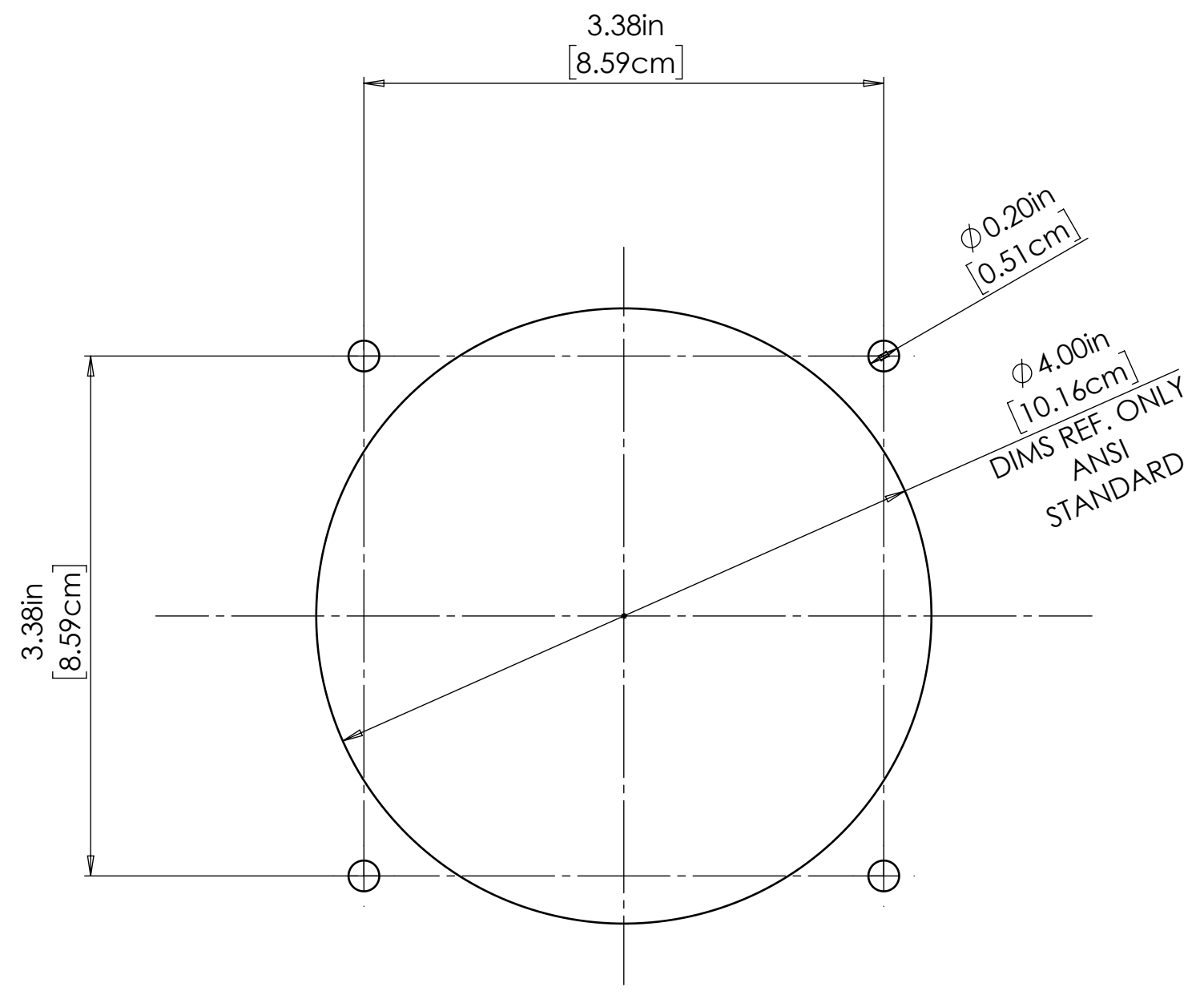
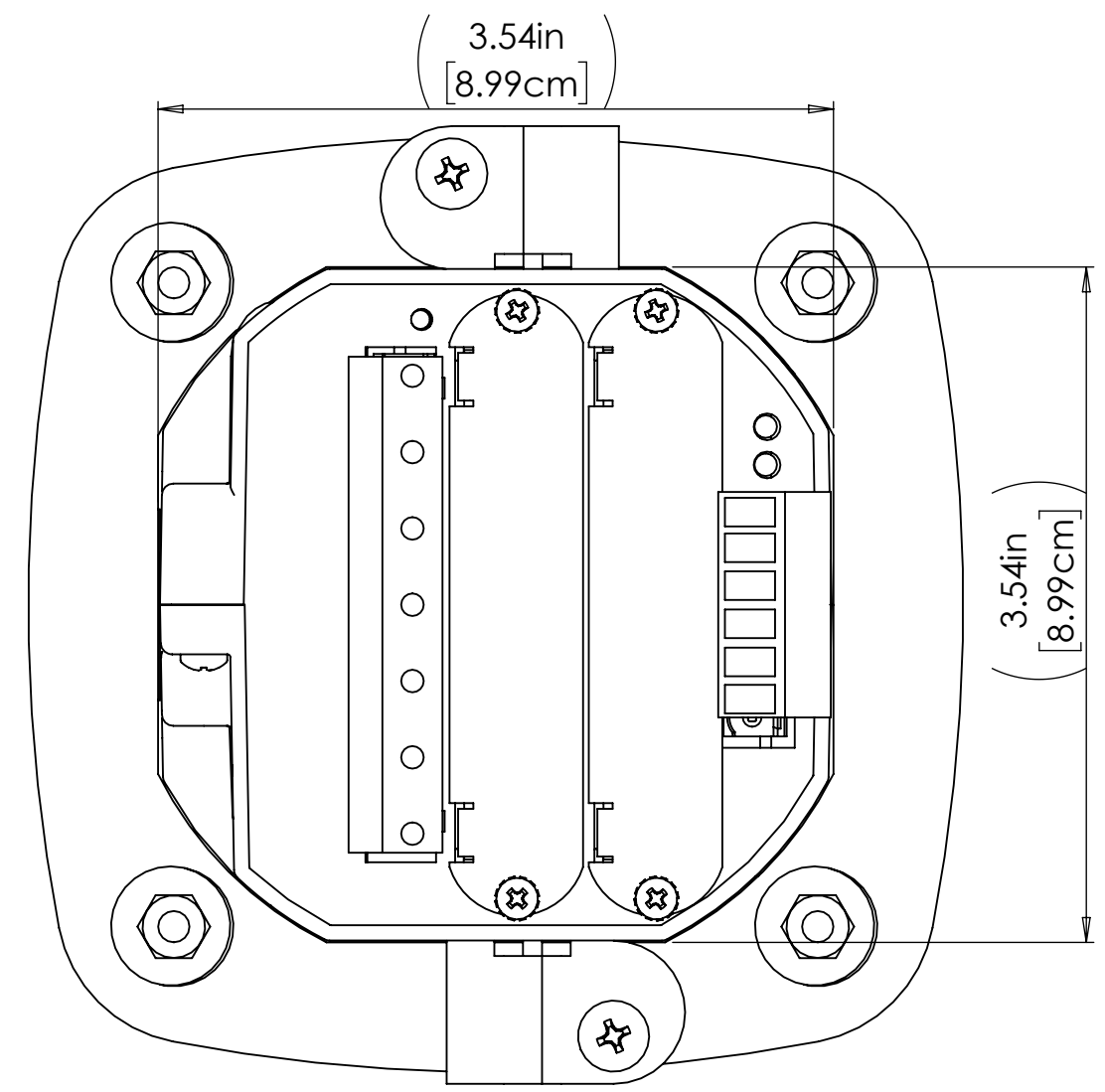
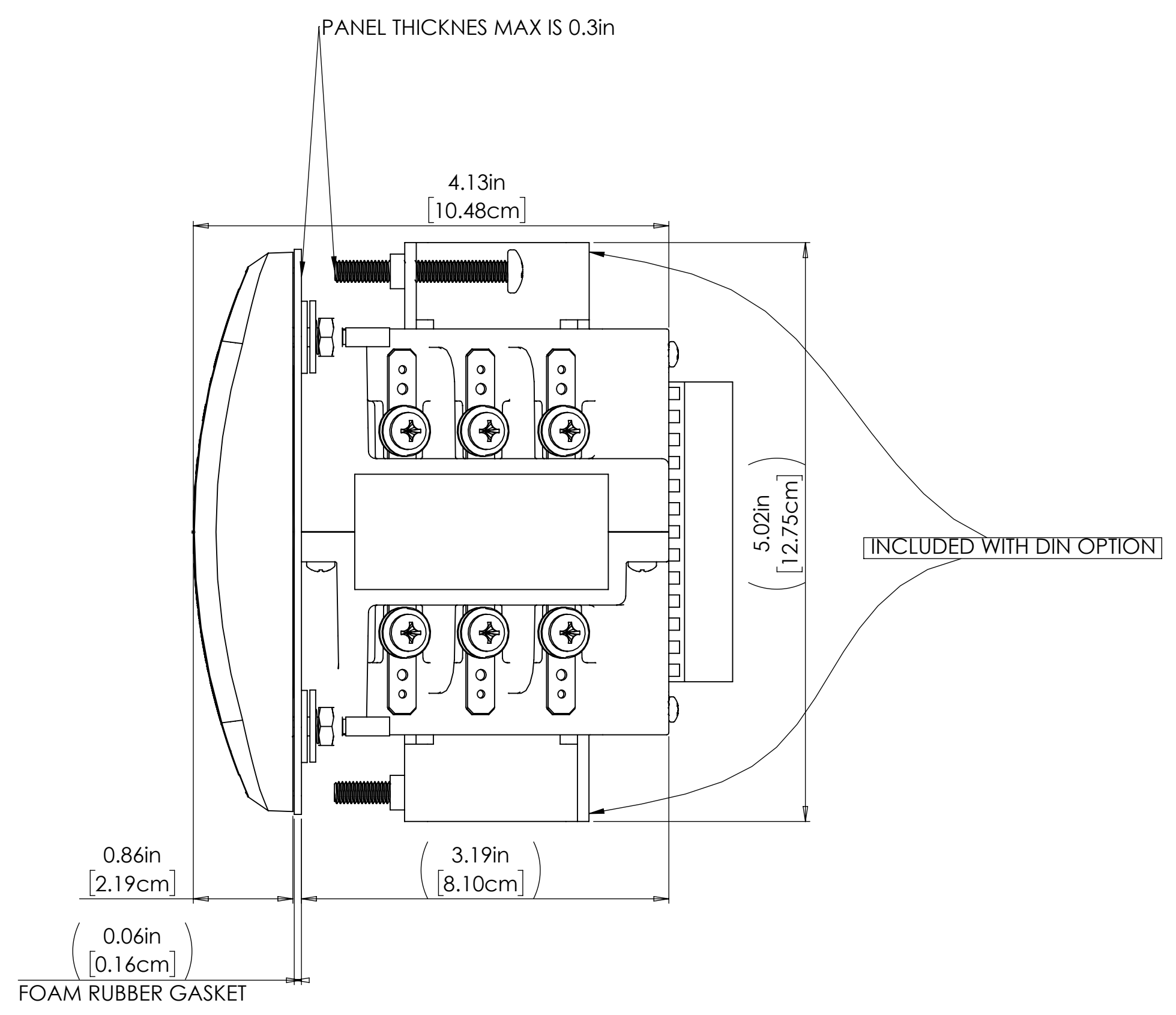
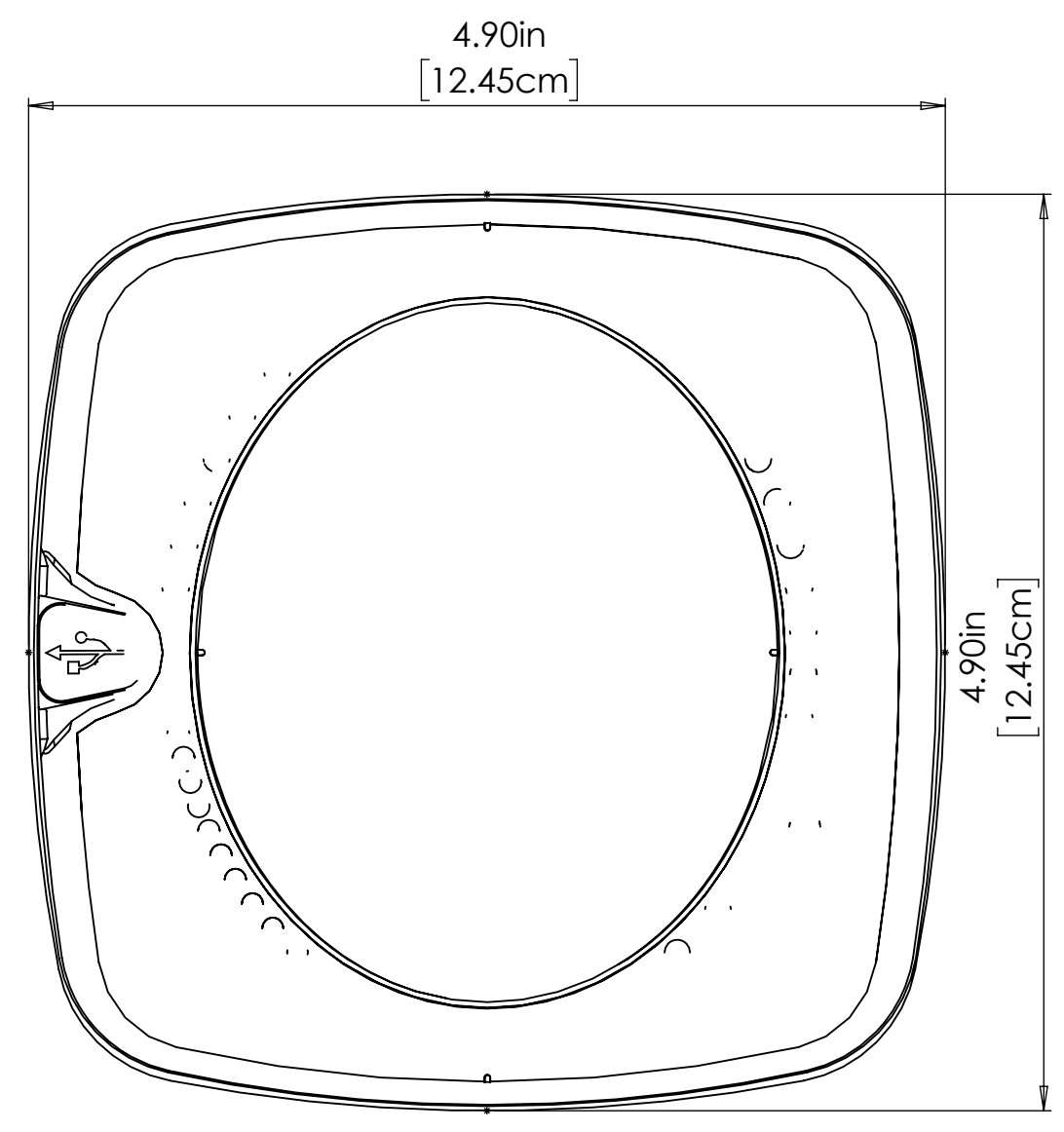


REVISION HISTORY					
REV	BY	RELEASE DATE	DESCRIPTION	ORIGINATOR	CHANGE ORDER
A	EM	7/17/18	FIRST RELEASE	EM	4733



SOLIDWORKS GENERATED DRAWING		Electro Industries/Gaugetech 1800 SHAMES DRIVE WESTBURY NEW YORK 11590-1700	
THESE DRAWINGS AND SPECIFICATIONS ARE THE PROPERTY OF ELECTRO INDUSTRIES AND SHALL NOT BE REPRODUCED, COPIED, OR USED FOR MANUFACTURE OR SALE OF APPARATUS WITHOUT WRITTEN PERMISSION OF ELECTRO INDUSTRIES.			
TOLERANCES AND SYMBOLS PER ANSI Y14.5M-1994 DIMENSIONS SPECIFIED ARE AFTER ADDITIVE FINISH:	MATERIAL: N/A	TITLE: SHARK 250	
DECIMALS XX ± 0.010 XXX ± 0.005 for 5 inches (plus 0.000 inch additional inch.)	ANGLES XX ± 0.5° XXX ± 0.1°	TITLE DESCRIPTION: DIMENSIONAL DRAWING	
SURF FINISH N/A	DRAWN BY: EM DATE: 7/17/18	ENGINEERING CHECK: TB DATE: 7/17/18	
FOR DIMENSIONS NOT SHOWN USE DIGITAL DATA. FILE NAME: E169716-A-7-17-18.ZIP	DOCUMENTATION CHECK: DS DATE: 7/17/18	REV NO: A CHANGE ORDER: 4733 RELEASE DATE: 7/17/18 SHEET: 1 OF 1	
SIZE: D SCALE: DO NOT SCALE DRAWING	PART NUMBER: E169716		