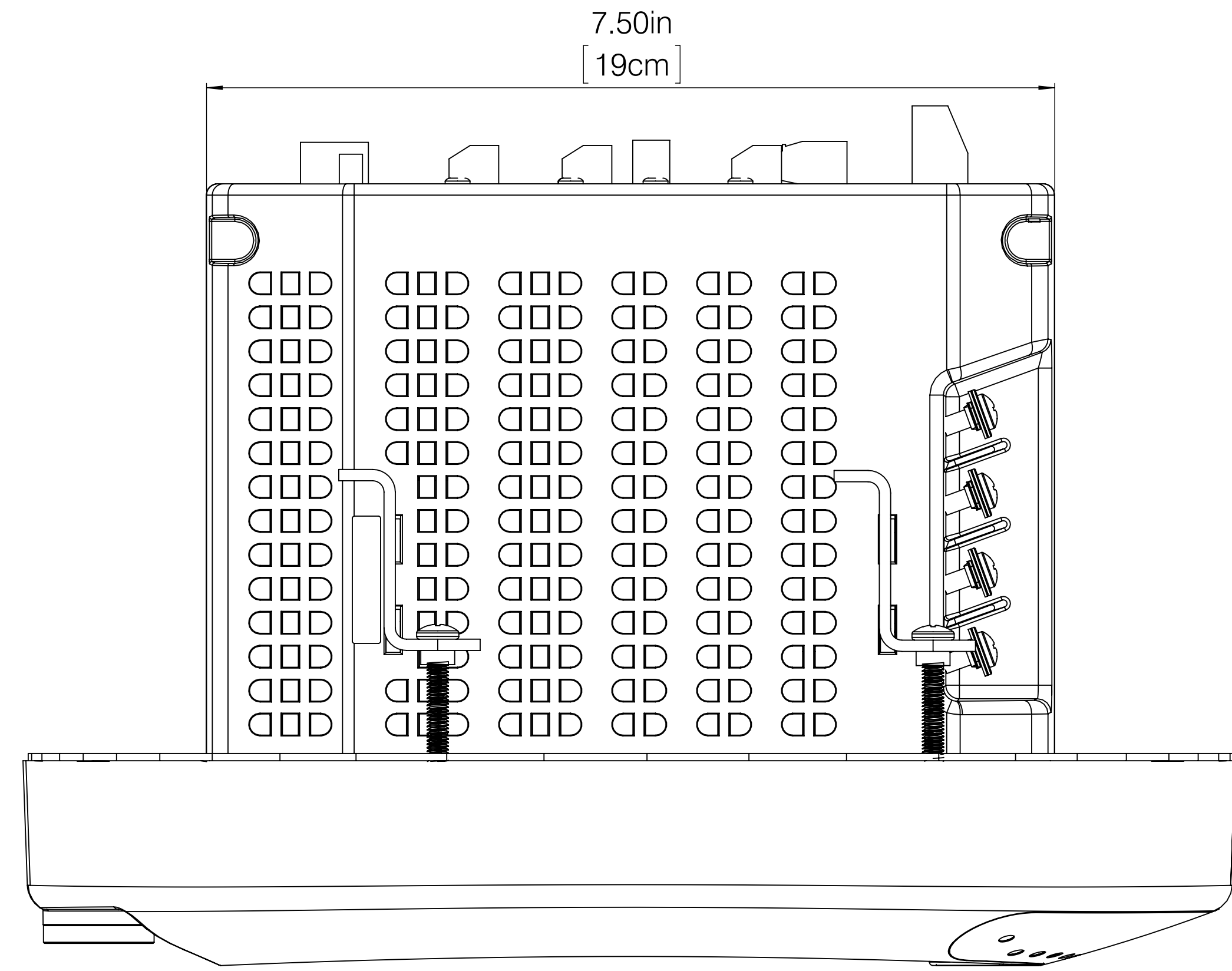
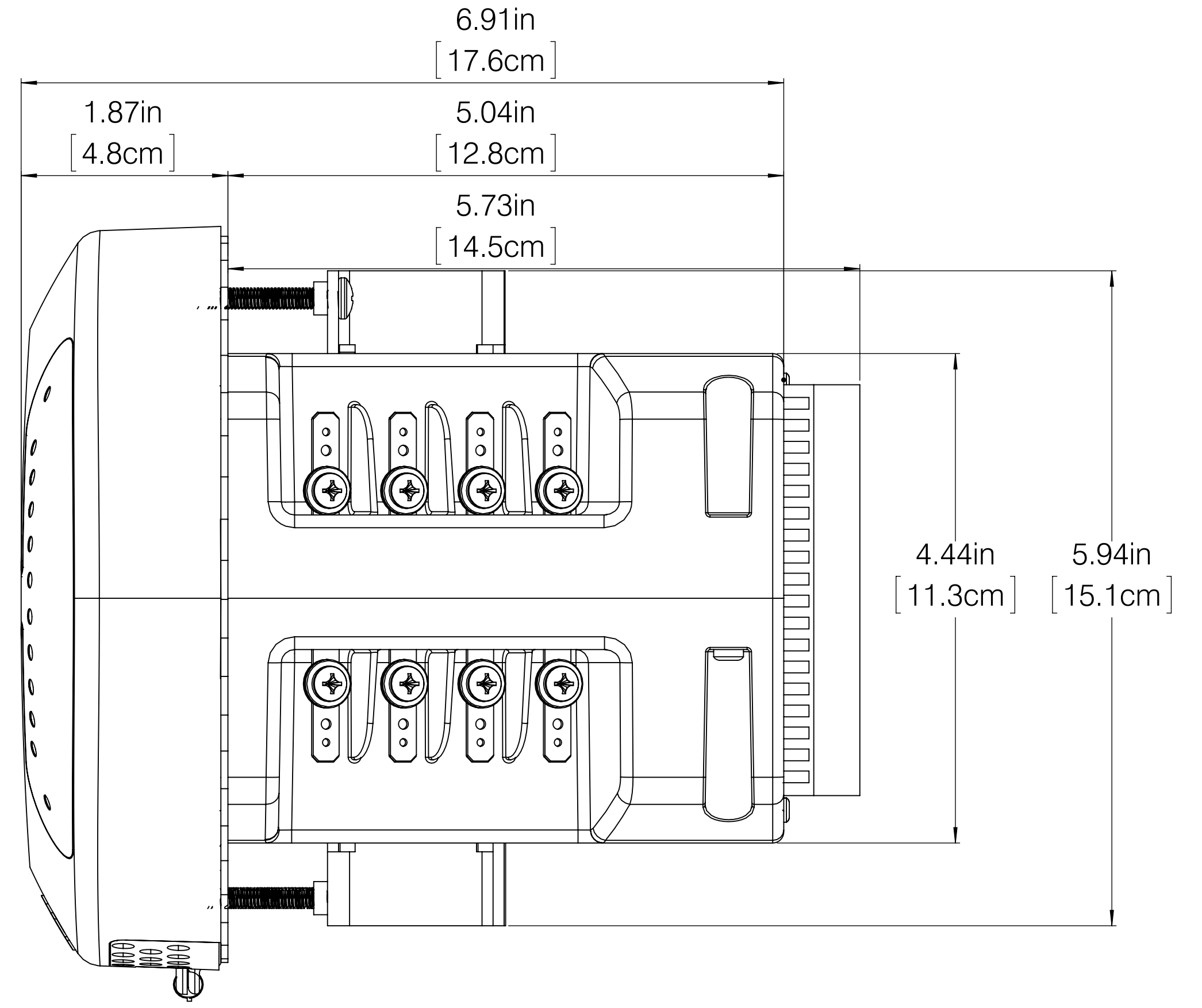
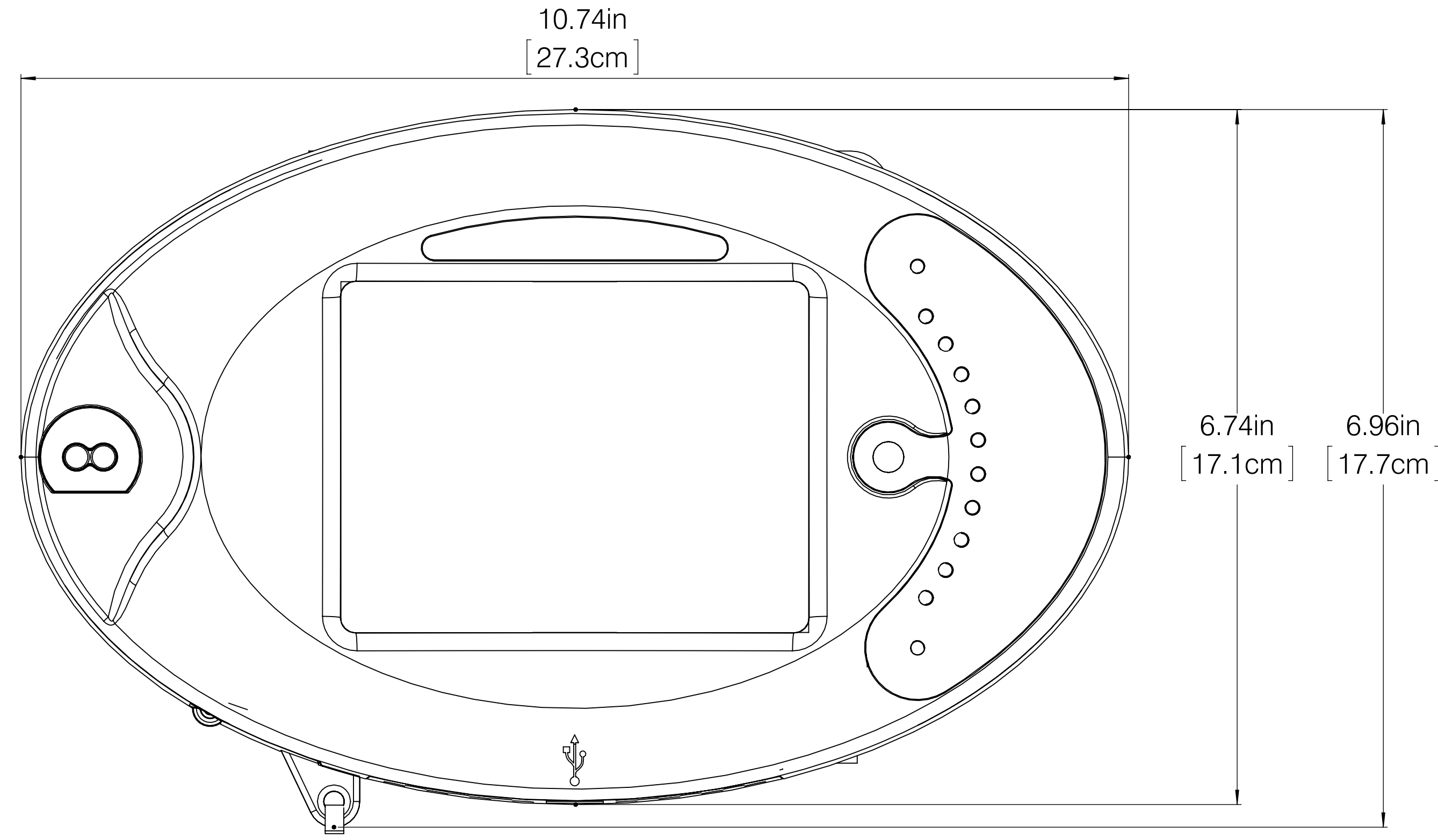


REVISION HISTORY					
REV	BY	RELEASE DATE	DESCRIPTION	ORIGINATOR	CHANGE ORDER
A	EM	8/21/15	FIRST RELEASE	EM	3992



SOLIDWORKS GENERATED DRAWING		Electro Industries/Gaugetech 1800 SHAMES DRIVE WESTBURY NEW YORK 11590-1700	
THESE DRAWINGS AND SPECIFICATIONS ARE THE PROPERTY OF ELECTRO INDUSTRIES AND SHALL NOT BE REPRODUCED, COPIED, OR USED FOR MANUFACTURE OR SALE OF APPARATUS WITHOUT WRITTEN PERMISSION OF ELECTRO INDUSTRIES.			
TOLERANCES AND SYMBOLS PER ANSI Y14.5M-1994 DIMENSIONS SPECIFIED ARE AFTER ADDITIVE FINISH:	MATERIAL: N/A	TITLE: NEXUS1500 +	
DECIMALS XX ± 0.010 XXX ± 0.005 for 1st 5 inches (plus 0.000 inch additional inch.)	ANGLES XX ± 0.5° XX.X ± 0.1°	TITLE DESCRIPTION: NEXUS 1500 + DIMENSIONS	
SURF FINISH N/A	DRAWN BY: EM DATE: 8/21/15	ENGINEERING CHECK: JS DATE: 8/21/15	
FOR DIMENSIONS NOT SHOWN USE DIGITAL DATA FILE NAME: .ZIP	DOCUMENTATION CHECK: DS DATE: 8/21/15	REV. NO: A CHANGE ORDER: 3992 RELEASE DATE: 8/21/15 SHEET: 1 OF 1	
SIZE: D SCALE: DO NOT SCALE DRAWING	PART NUMBER: E154720		